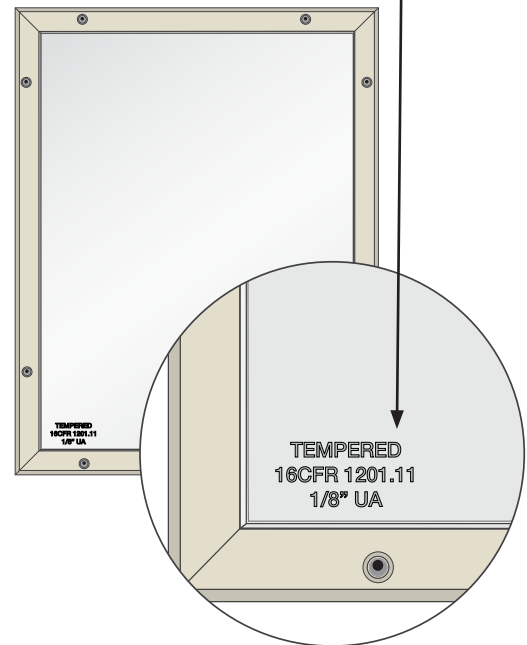


- SLIPs may fog and sweat for up to about one week. This is due to moisture and chemicals from the cleaning solution. Allow the solution to dry and clear up before taking measures to fix it.
- **Do not use a power washer to clean SLIPs.** Power washing SLIPs could force water into the interior window glass through vent holes, causing water staining on interior glass surfaces.
- The glass is tempered and soft. Use a mild soap and a soft cloth to clean. Abrasive or rough products of any kind can scratch the glass.
- It is recommended that SLIPs be removed to clean window glass periodically.
- Do not caulk or paint heavily around the SLIP; it could block the vent holes and cause fogging. If sweating is an issue, more ventilation is required. To create more ventilation, make sure vents aren't covered. SLIP fasteners may also be too tight, pinching off the air vent and causing fogging. Condensation is not a defect, and the air vents are present to allow air to follow and prevent condensation
- Do not remove gaskets, If gasketing is off, more should be installed in a consistent fashion
- If SLIPs are removed, make sure the vent holes are facing down when reinstalling.

Tempered glass etching should be on the bottom left as shown.



Gasket openings on the back of the SLIP must be angled upward as shown.

