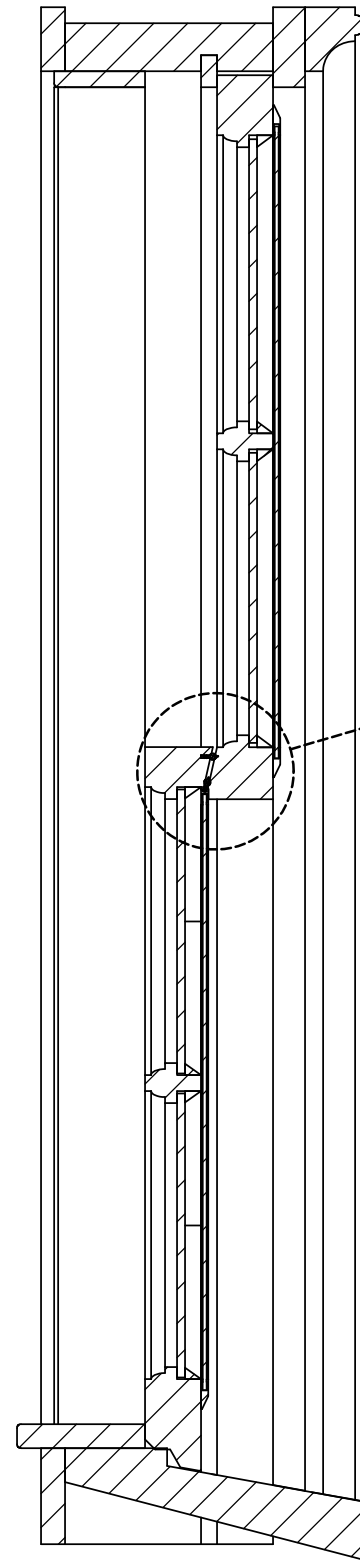


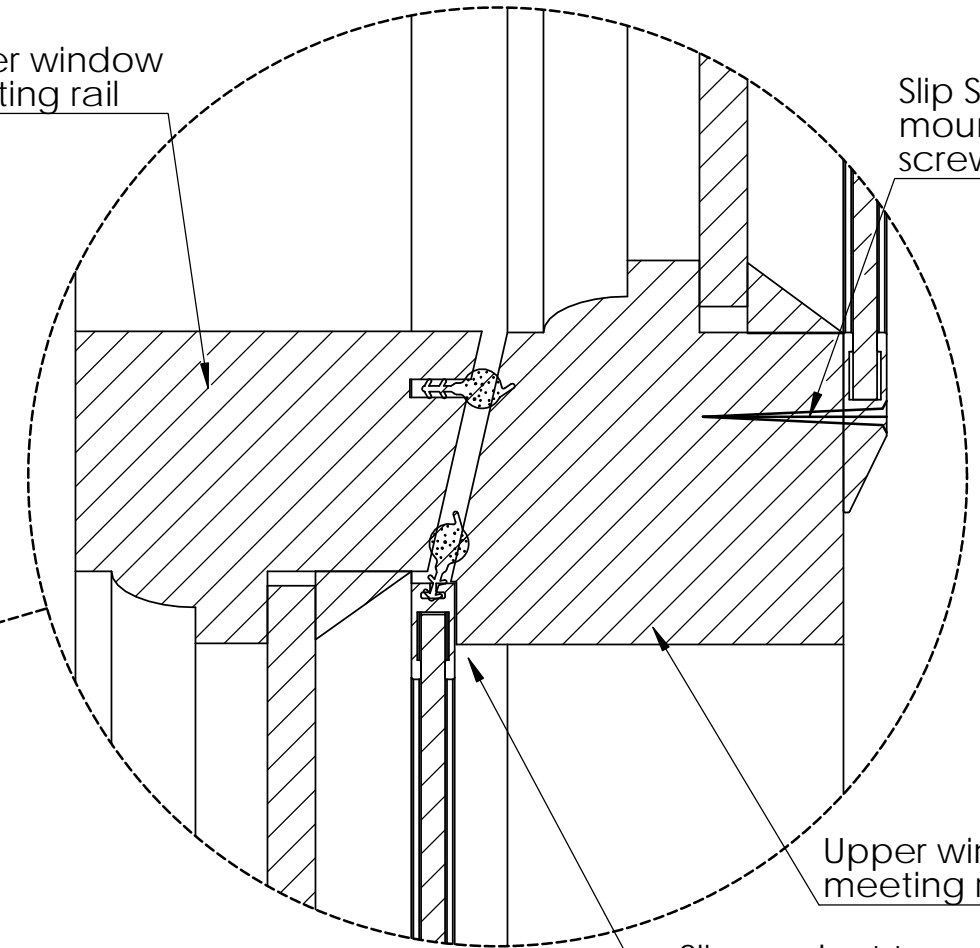
Double Hung Window with Slip Product assembly



SECTION T-T
SCALE 1 : 6

Lower window meeting rail

Slip Screen mounting screw



DETAIL U
SCALE 1 : 1

Upper window meeting rail

Slip product top meeting rail with weatherstripping

	NAME	DATE	CHOSEN WOOD WINDOW MAINTENANCE, INC.					
DRAWN						TITLE:		
CHECKED								
ENG APPR.								
MFG APPR.								
Q.A.								
COMMENTS:			SIZE	DWG. NO.	REV			
			B	Double Hung-Slip-2				
			SCALE: 1:20		SHEET 1 OF 1			



View A



View B

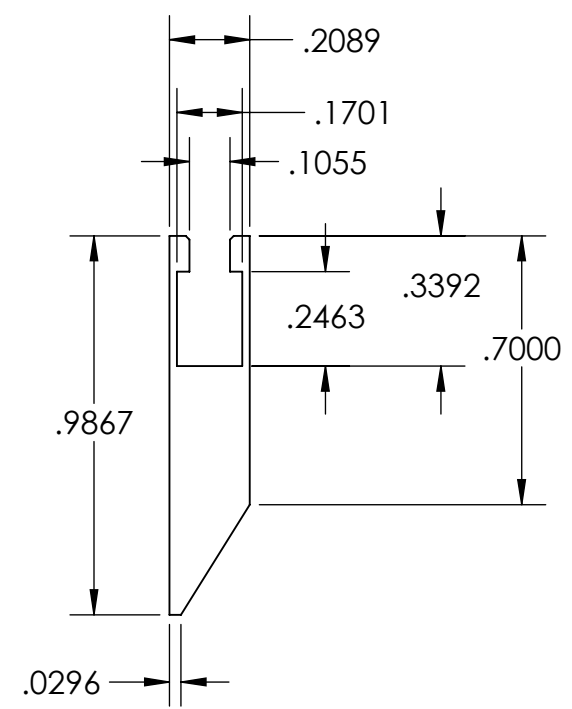
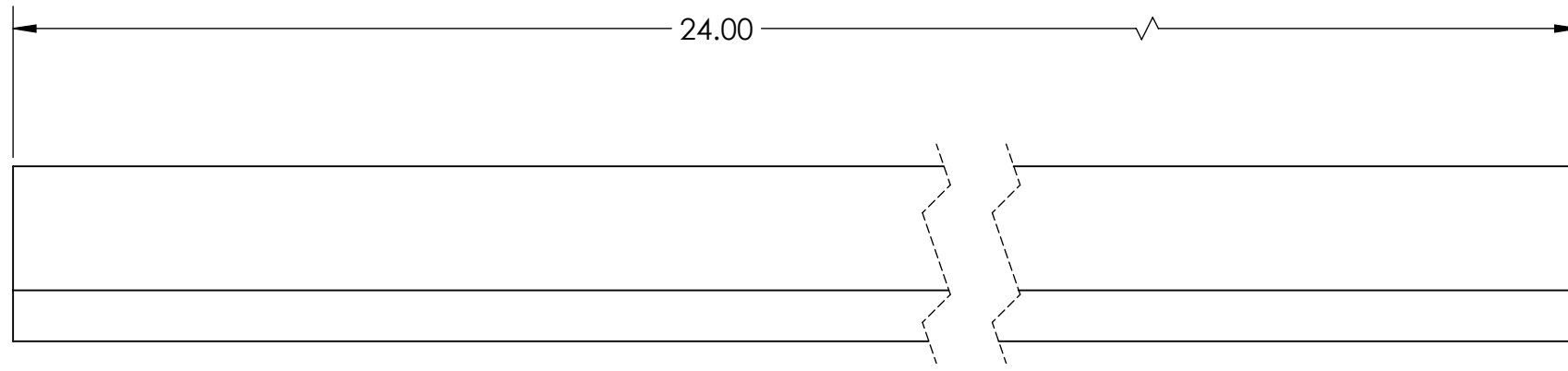
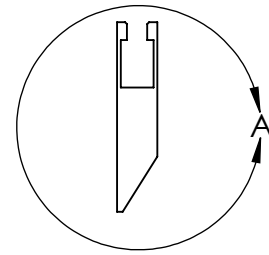
4

3

2

1

1/8" Version Detail



DETAIL A
SCALE 2 : 1

PROPRIETARY AND CONFIDENTIAL
 THE INFORMATION CONTAINED IN THIS
 DRAWING IS THE SOLE PROPERTY OF
 <INSERT COMPANY NAME HERE>. ANY
 REPRODUCTION IN PART OR AS A WHOLE
 WITHOUT THE WRITTEN PERMISSION OF
 <INSERT COMPANY NAME HERE> IS
 PROHIBITED.

		UNLESS OTHERWISE SPECIFIED:		NAME	DATE			
		DIMENSIONS ARE IN INCHES TOLERANCES: FRACTIONAL ± ANGULAR: MACH ± BEND ± TWO PLACE DECIMAL ± THREE PLACE DECIMAL ±	DRAWN			TITLE:		
			CHECKED					
			ENG APPR.					
			MFG APPR.					
		INTERPRET GEOMETRIC TOLERANCING PER:	Q.A.			SIZE DWG. NO. REV B Window extrusion_E201-WEB_RevB SCALE: 1:10 WEIGHT: SHEET 1 OF 1		
		MATERIAL	COMMENTS:					
NEXT ASSY	USED ON	FINISH						
APPLICATION		DO NOT SCALE DRAWING						

4

3

2

1

B

B

A

A

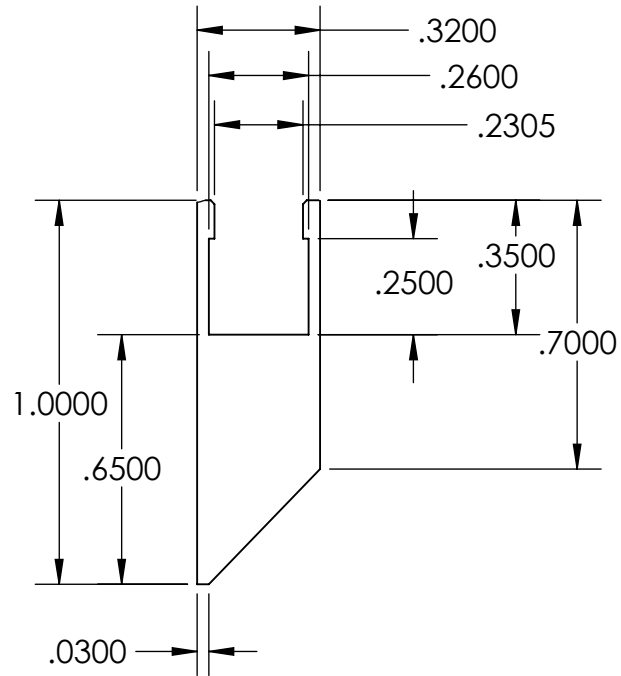
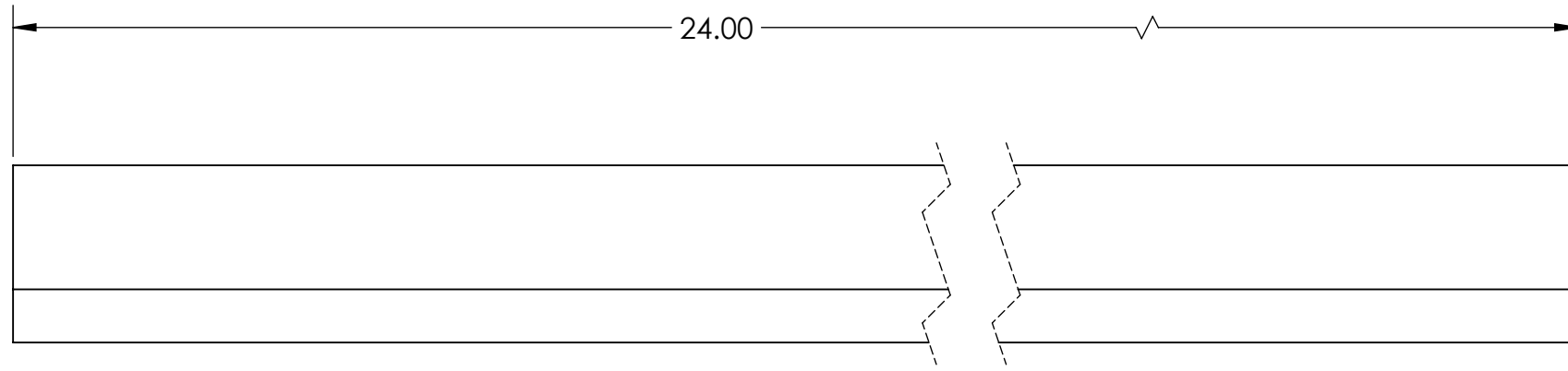
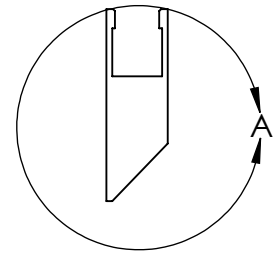
4

3

2

1

1/4" Version Detail



DETAIL A
SCALE 2 : 1

PROPRIETARY AND CONFIDENTIAL
 THE INFORMATION CONTAINED IN THIS
 DRAWING IS THE SOLE PROPERTY OF
 <INSERT COMPANY NAME HERE>. ANY
 REPRODUCTION IN PART OR AS A WHOLE
 WITHOUT THE WRITTEN PERMISSION OF
 <INSERT COMPANY NAME HERE> IS
 PROHIBITED.

		UNLESS OTHERWISE SPECIFIED:		NAME	DATE			
		DIMENSIONS ARE IN INCHES TOLERANCES: FRACTIONAL ± ANGULAR: MACH ± BEND ± TWO PLACE DECIMAL ± THREE PLACE DECIMAL ±	DRAWN			TITLE:		
			CHECKED					
			ENG APPR.					
			MFG APPR.					
		INTERPRET GEOMETRIC TOLERANCING PER:	Q.A.			SIZE B DWG. NO. REV SCALE: 1:10 WEIGHT: SHEET 1 OF 1		
		MATERIAL	COMMENTS:					
NEXT ASSY	USED ON	FINISH						
APPLICATION		DO NOT SCALE DRAWING						

4

3

2

1

B

B

A

A

**WINDOW
JAMB**

Exterior SLIP™ Install Doublehung Meeting Rail

WEATHERSTRIP

**G
L
A
S
S**

**S
L
I
P
G
L
A
S
S**

PUTTY

PUTTY

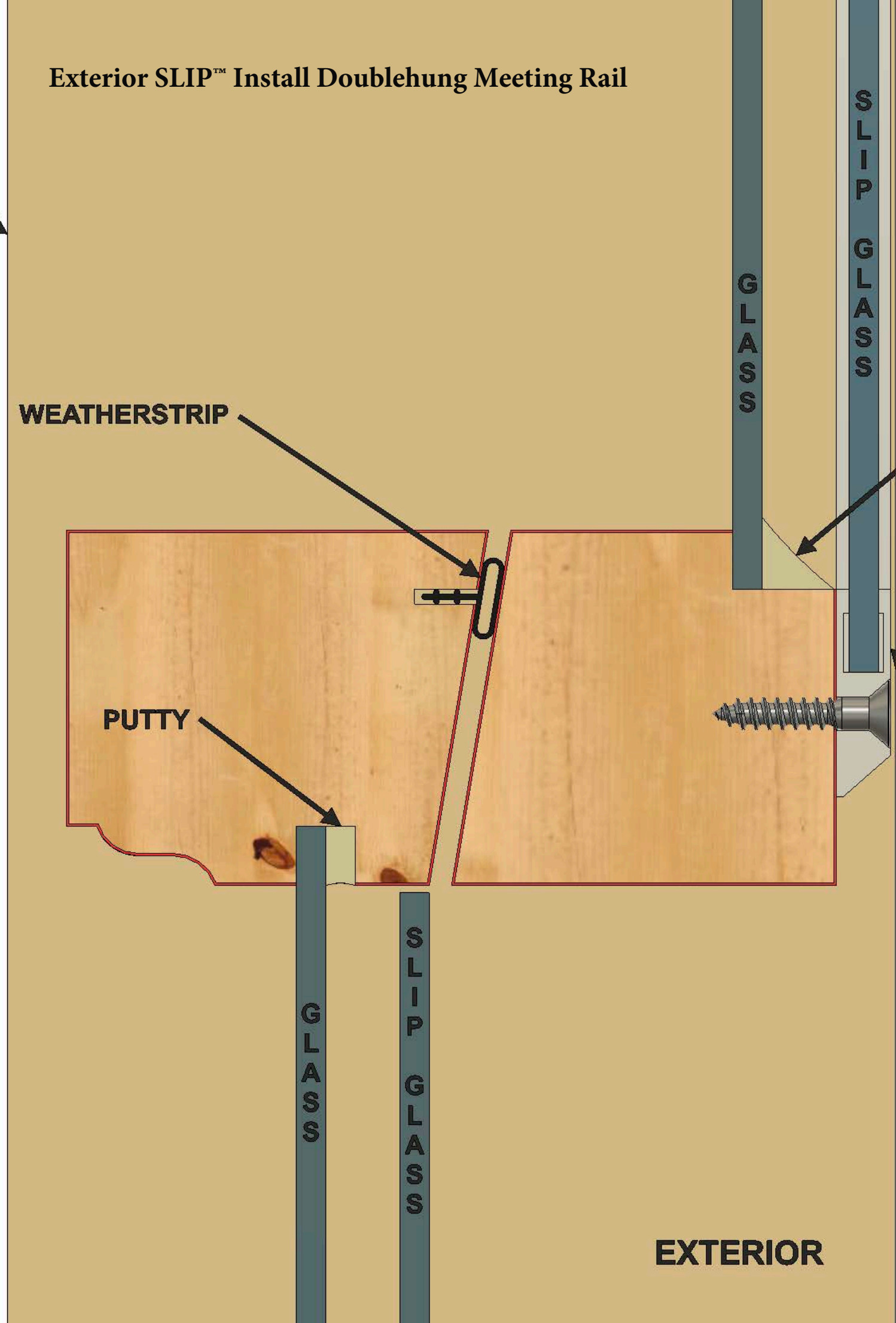
SLIP

**G
L
A
S
S**

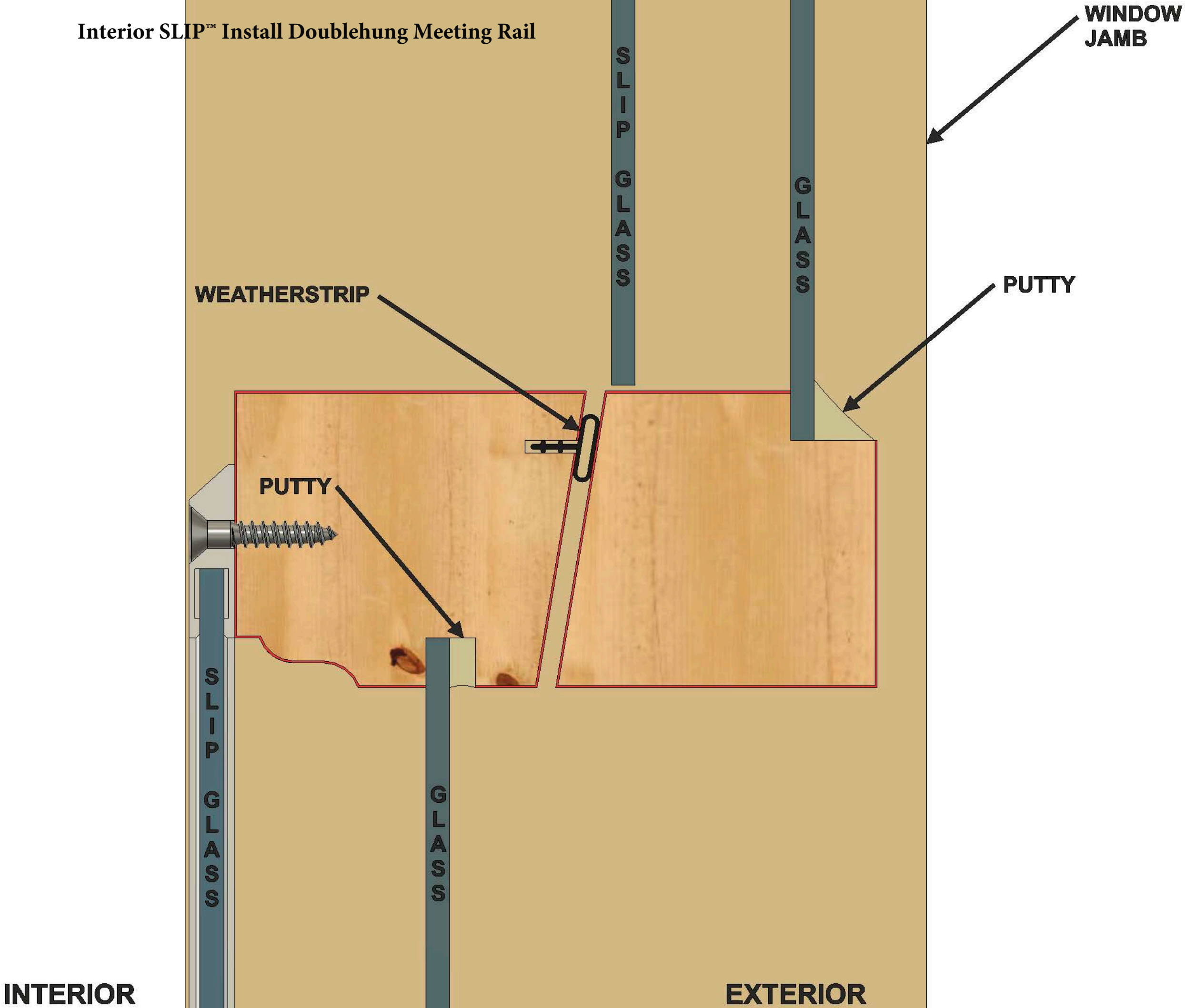
**S
L
I
P
G
L
A
S
S**

INTERIOR

EXTERIOR



Interior SLIP™ Install Doublehung Meeting Rail



WINDOW JAMB

SLIP GLASS

GLASS

WEATHERSTRIP

PUTTY

PUTTY

SLIP GLASS

GLASS

INTERIOR

EXTERIOR