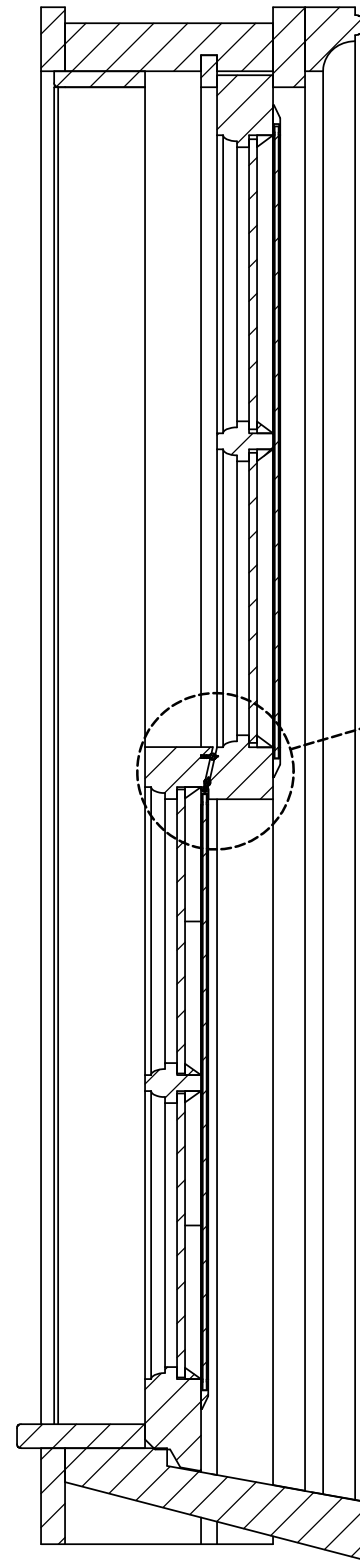


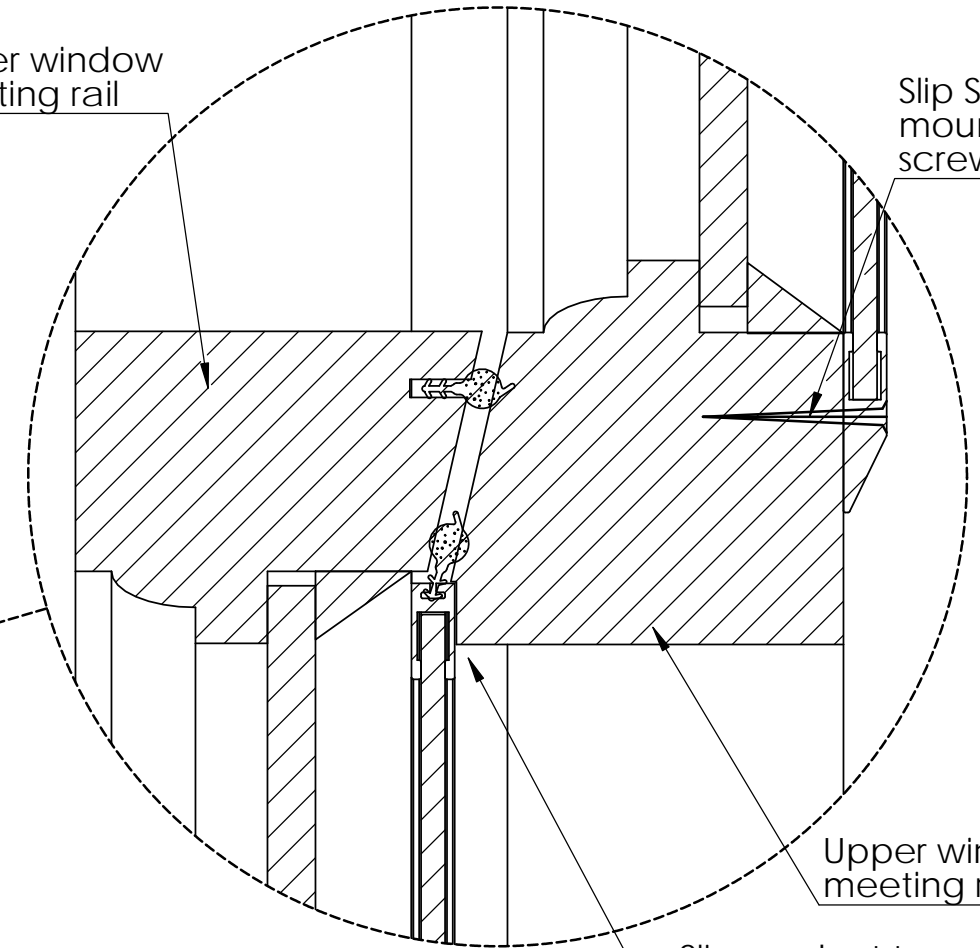
Double Hung Window with Slip Product assembly



SECTION T-T
SCALE 1 : 6

Lower window meeting rail

Slip Screen mounting screw



DETAIL U
SCALE 1 : 1

Upper window meeting rail
Slip product top meeting rail with weatherstripping

	NAME	DATE	<p style="text-align: center;">CHOSEN WOOD WINDOW MAINTENANCE, INC.</p>																	
DRAWN						<p>TITLE:</p>														
CHECKED									<table border="1" style="width: 100%;"> <tr> <td>SIZE</td> <td>DWG. NO.</td> <td>REV</td> </tr> <tr> <td>B</td> <td>Double Hung-Slip-2</td> <td></td> </tr> <tr> <td>SCALE: 1:20</td> <td colspan="2">SHEET 1 OF 1</td> </tr> </table>			SIZE	DWG. NO.	REV	B	Double Hung-Slip-2		SCALE: 1:20	SHEET 1 OF 1	
SIZE	DWG. NO.	REV																		
B	Double Hung-Slip-2																			
SCALE: 1:20	SHEET 1 OF 1																			
ENG APPR.																				
MFG APPR.																				
Q.A.																				
COMMENTS:																				



View A



View B

4

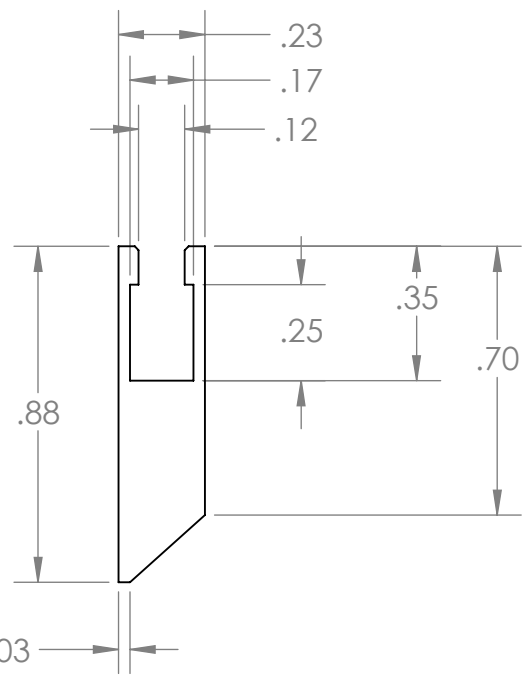
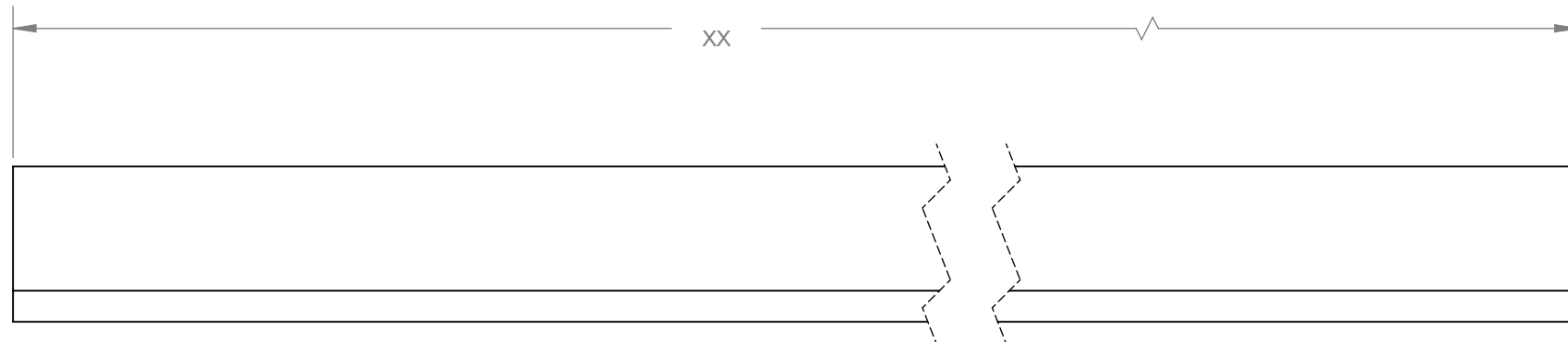
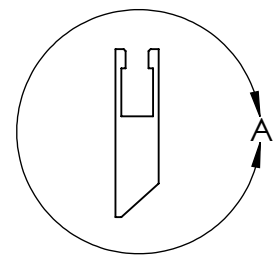
3

2

1

B

B



DETAIL A
SCALE 2 : 1

A

A

PROPRIETARY AND CONFIDENTIAL
 THE INFORMATION CONTAINED IN THIS DRAWING IS THE SOLE PROPERTY OF <INSERT COMPANY NAME HERE>. ANY REPRODUCTION IN PART OR AS A WHOLE WITHOUT THE WRITTEN PERMISSION OF <INSERT COMPANY NAME HERE> IS PROHIBITED.

		UNLESS OTHERWISE SPECIFIED:		NAME	DATE	TITLE:
		DIMENSIONS ARE IN INCHES	DRAWN			
		TOLERANCES: FRACTIONAL ±	CHECKED			
		ANGULAR: MACH ± BEND ±	ENG APPR.			
		TWO PLACE DECIMAL ±	MFG APPR.			SIZE DWG. NO. REV Window extrusion_E201-WEB_RevA
		THREE PLACE DECIMAL ±	Q.A.			
		INTERPRET GEOMETRIC TOLERANCING PER:	COMMENTS:			
		MATERIAL				
NEXT ASSY	USED ON	FINISH				
APPLICATION		DO NOT SCALE DRAWING				SCALE: 1:10 WEIGHT: SHEET 1 OF 1

4

3

2

1

**WINDOW
JAMB**

Exterior SLIP™ Install Doublehung Meeting Rail

WEATHERSTRIP

**G
L
A
S
S**

**S
L
I
P
G
L
A
S
S**

PUTTY

PUTTY

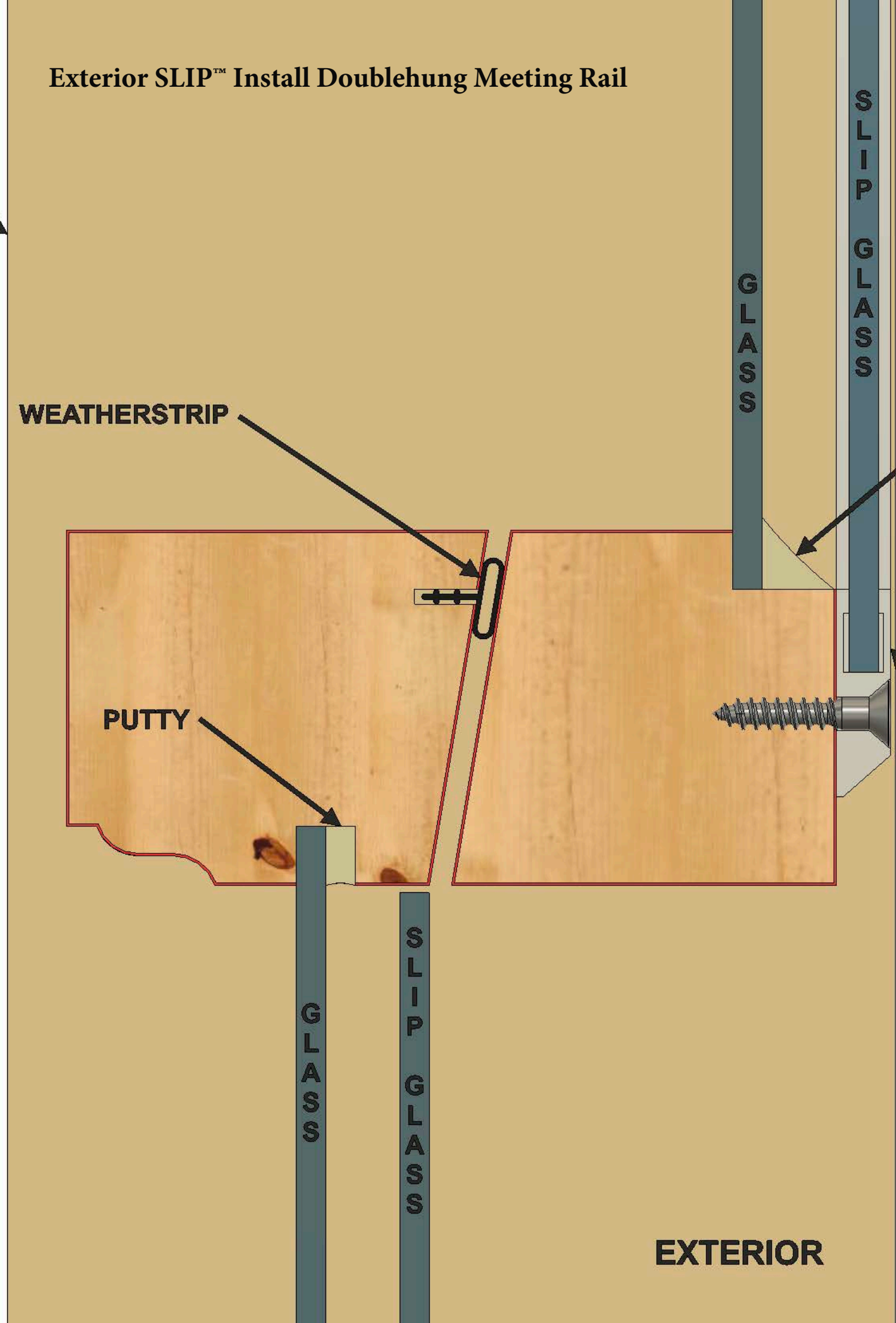
SLIP

**G
L
A
S
S**

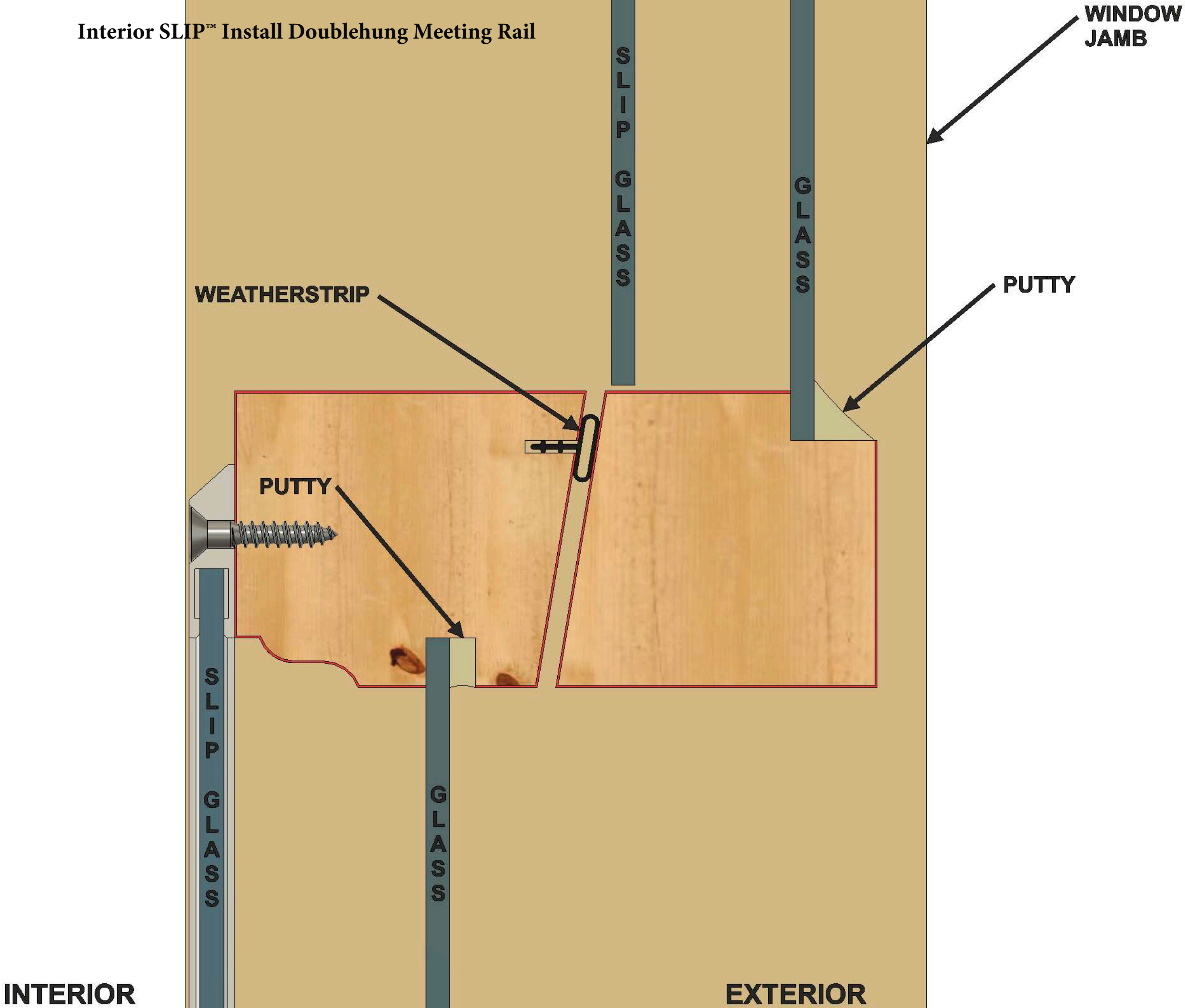
**S
L
I
P
G
L
A
S
S**

INTERIOR

EXTERIOR



Interior SLIP™ Install Doublehung Meeting Rail



WINDOW JAMB

SLIP GLASS

GLASS

WEATHERSTRIP

PUTTY

PUTTY

SLIP GLASS

GLASS

INTERIOR

EXTERIOR